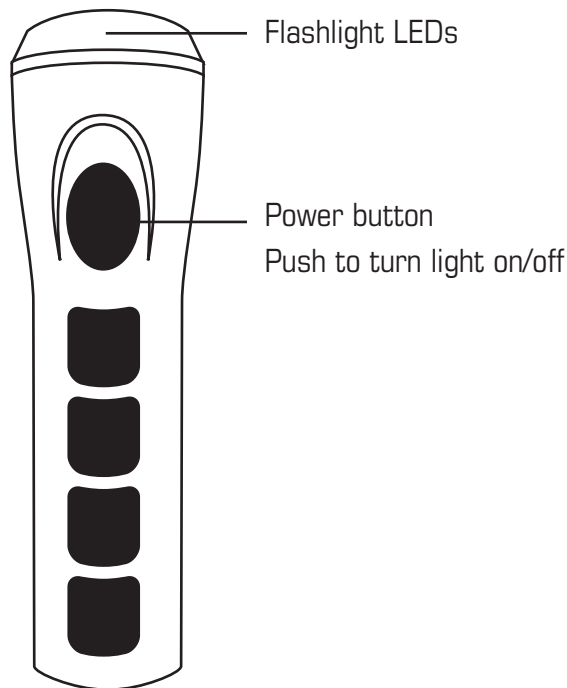


MEGABRITE®

**SELF-POWERED
turbo-torch™ XL**

super bright LED flashlight

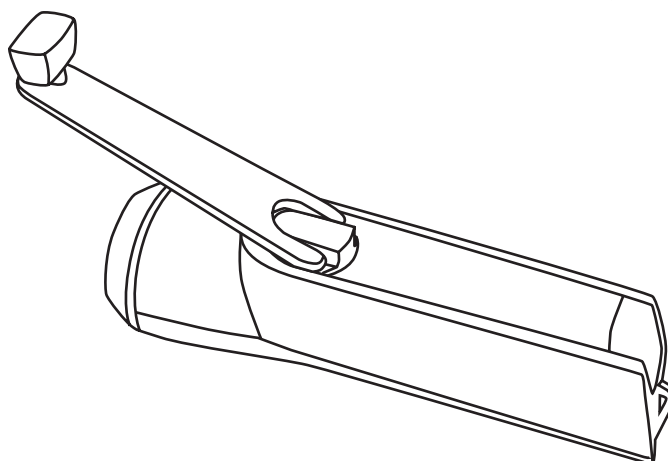
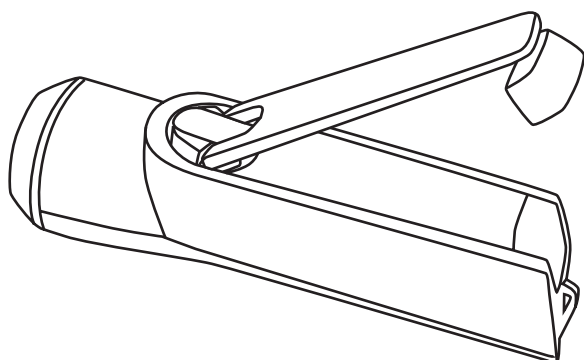
- Revolutionary self-powered technology – no batteries to replace
- Super bright LEDs – no bulbs to replace
- Wind handle for up to one minute to charge
- Ergonomic rubber grip handle
- Patented TriVex™ Optics – revolutionary lens design emits a wider projected spot beam which provides enhanced brightness at greater distances.
- Great for home, auto, camping, emergencies & more...



TO CHARGE:

Lift handle up for winding to charge.
Push handle down to use/store flashlight.

Wind for up to 1 minute at a steady pace in either direction. Note: be sure to turn flashlight OFF before winding to charge.



An original DuraPRO® innovation

Innovative Concepts Corporation
Torrington, CT 06790 U.S.A.

MegaBRITE is a registered trademark of
ICC Innovative Concepts Corporation
Customer Service: 860-482-0512, 9AM – 5PM, EST

Visit us at www.durapro.com

Patent Pending
Made in China



© 2007 ICC 0307 Recyclable

IMPORTANT: For optimum performance it is recommended that you charge the unit by winding the handle for 1 minute at least once every three months even if unit is not in use.

WARNING: KEEP AWAY FROM CHILDREN. LEDs are very bright. Avoid direct exposure of LED light to eye. Injury to eyes may occur. Do not shine into the eyes of others. To avoid damage to the batteries or contacts, do not submerge in liquid.

WARRANTY: MegaBRITE products are designed with quality in mind. This product is warranted against defects in material and workmanship for one year from date of purchase. This warranty does not apply to defects or damage caused by misuse, alteration or normal wear and tear, and is limited only to replacement of this product.

IMPORTANTE: Para lograr un óptimo rendimiento, se recomienda que cargue la unidad dando cuerda a la manija durante 1 minuto por lo menos una vez cada tres meses, incluso cuando no la usa.

ADVERTENCIA: MANTENER LEJOS DE LOS NIÑOS. Las luces LED son muy brillantes. Evite el contacto directo de la luz LED con los ojos. Podría causar daños a los ojos. No la oriente hacia los ojos de otras personas. Para evitar daños a las pilas o contactos, no la sumerja en líquido.

GARANTÍA: Los productos MegaBRITE son diseñados con la calidad en mente. Este producto está garantizado contra defectos de material y mano de obra por un año desde la fecha de la compra. Esta garantía no se aplica a defectos o daños causados por el mal uso, alteración o desgaste normal y se limita solamente al reemplazo de esta producto.