

**MEGABRITE®****sound-activated**

LED flashlight &amp; utility light

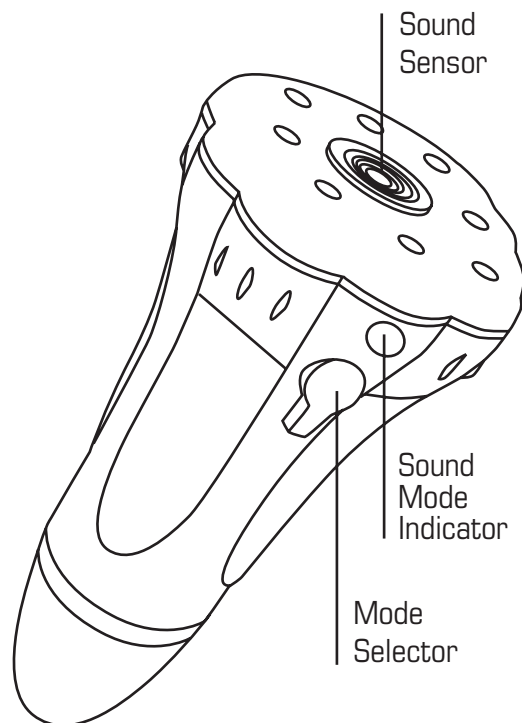
- Switch from 2, 4 & 8 LED modes with a simple clap of your hands
- Override switch allows you to turn on and off manually
- Great for camping, power outages, roadside emergencies & more
- Water-resistant

**TO OPERATE**

Set the mode selector to ON for standard 8 LED mode, and OFF to turn the flashlight off.

Set the mode selector to VON for sound-activated mode. In this setting, clapping your hands loudly will alternate the flashlight between 8 LED, 4 LED, 2 LED and off modes.

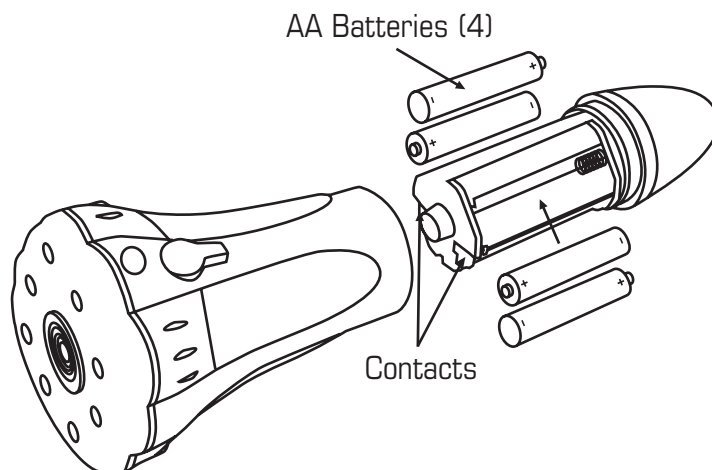
NOTE: the sound mode indicator light will illuminate when in sound-activated mode.

**INSTALLING BATTERIES**

Open the battery compartment by twisting the handle end counterclockwise and sliding it out of the flashlight housing. Insert 4 AA batteries (included) aligning them according to the positive (+) and negative (-) markings inside the compartment. Reinsert the battery compartment into the housing, making sure to align the contacts on the bottom of the battery compartment with the contacts inside the housing. Twist the handle end clockwise to close the compartment.

**Do not mix old and new batteries.**

**Do not mix alkaline, standard (Carbon-Zinc), or rechargeable (Nickel Cadmium) batteries.**

**An original DuraPRO® innovation**

**ICC** Innovative Concepts Corporation  
Torrington, CT 06790 U.S.A.

MegaBRITE is a registered trademark of ICC  
Innovative Concepts Corporation

Customer Service: 860-482-0512, 9AM – 5PM, EST

Visit us at [www.durapro.com](http://www.durapro.com)

**Made in China**

**Patented**



© 2007 ICC 0307 Recyclable

**WARNING: KEEP AWAY FROM CHILDREN.** LEDs are very bright. Avoid direct exposure of LED light to eye. Injury to eyes may occur. Do not shine into the eyes of others. To avoid damage to the batteries or contacts, do not submerge in liquid.

**WARRANTY:** MegaBRITE products are designed with quality in mind. This product is warranted against defects in material and workmanship for one year from date of purchase. This warranty does not apply to defects or damage caused by misuse, alteration or normal wear and tear, and is limited only to replacement of this product.

**ADVERTENCIA: MANTENER LEJOS DE LOS NIÑOS.** Las luces LED son muy brillantes. Evite el contacto directo de la luz LED con los ojos. Podría causar daños a los ojos. No la oriente hacia los ojos de otras personas. Para evitar daños a las pilas o contactos, no la sumerja en líquido.

**GARANTÍA:** Los productos MegaBRITE son diseñados con la calidad en mente. Este producto está garantizado contra defectos de material y mano de obra por un año desde la fecha de la compra. Esta garantía no se aplica a defectos o daños causados por el mal uso, alteración o desgaste normal y se limita solamente al reemplazo de esta producto.